

DP-210 (Count Meter/Hour Meter)



Features

- Built in battery
- Easy to read 6.5mm LCD Digits
- All units come with reset button on the front of the unit, can be made without a reset button, but those are considered a special order
- Counting speeds of 100cps and 200cps
- Standard units are black, grey units are also available via special order

Description

Highly accurate hour meters and count meters available at a competitive price. Useful for a multitude of applications, please contact us with any questions you have regarding these units.

Specification

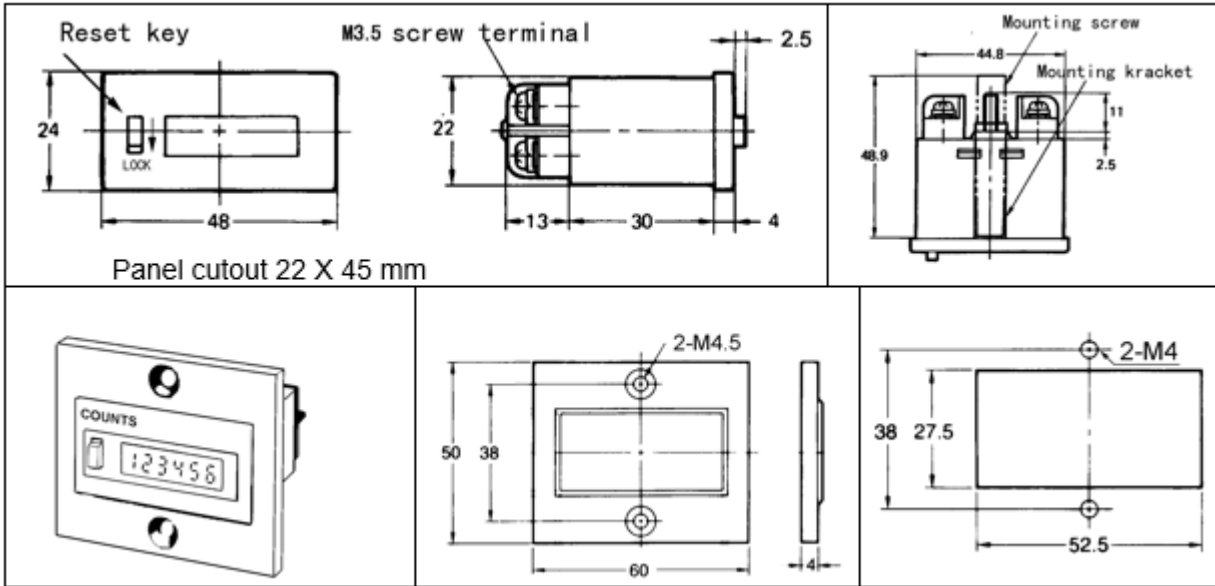
Unit Size	48mm x 24mm x 48.9mm
Cut Out Size	45mm x 22xx
Temperature Range	-10 – 40 C
Max Display	Varies, see ordering information
Operating Voltages	0-2, 4-30V DC in some models
Weight	60g

Ordering Information

DP-210H - 99999.9 (hour meter)
DP-211H - 99h59m59s (hour meter)
DP-212H - 9999h59m (hour meter)
DP-213H - 9999d23h (hour meter)
DP-210C - 6 digit, 100cps, contact closure
DP-211C - 6 digit, 100cps, 0-2V
DP-212C - 6 digit, 200cps, 4-30V

Dimensions for Installation:

DP-210 (Count Meter/Hour Meter)



Connections:

