

DP-270BI (Battery Indicator)



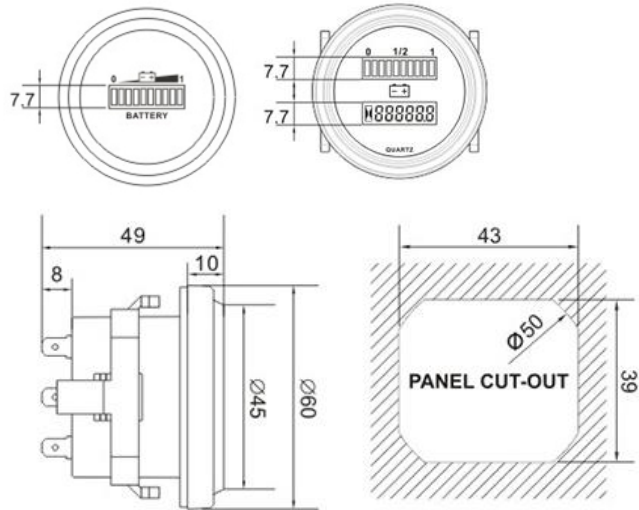
DP-270BI



DP-270BI-H

Low cost, highly reliable Lead-Acid Battery indicator. Available with and without separate hour meter.

DIMENSIONS:



Features

- 1 red, 2 yellow, 7 green LED indicators, 10 segment LED Bar Graph display
- Memory option enables recall of last charge level
- LED flashing for low & high charge warning
- Keyswitch enable option
- +/- 0.5% accuracy
- Reset function optional
- Automatic rollover on hour meter
- 1 year warranty
- CE & ROHS Compliant

Applications

Useful for any Lead Acid battery application. We are able to offer competitive pricing for OEMs and distributors on this product. Applications for this product include, but are not limited to:

Golf Carts
Fork Lifts
Medical Devices
Lawn Equipment

Specification

Cut Out Size	43mm x 39mm
Temperature Range	-30 – 85 C
Max Display	99999.9 hours (DP-270BI-H)
Operating Voltages	12/24V, 36V, 48V/72V
Memory Capacity	CMOS EEPROM

Ordering Information

DP-270BI - Regular Lead Acid Battery Indicator, no hour meter

DP-270BI-H - Lead Acid Battery Indicator with Hour Meter