

# DP-670 Series

## 3 1/2 Digit Loop Controlled LCD Display Digital Panel Meters



### Features

- Space saving design only 0.67"(17mm) deep
- Occupies less than 2.5 x 1.1 inches of front panel space
- High contrast LCD
- 3-1/2 digits with 0.39" LCD
- Snap-In bezel eliminates the need for mounting hardware
- User Selectable Decimal Points
- Process input (4 to 20mA) adder board with multi-turn SPAN (GAIN) and ZERO (OFFSET) adjustments
- Loop powered

### Description

The DP670 provides a loop powered 3 1/2 digit LCD meter. It is compatible with virtually any 4-20mA dc process loop.

### Specifications

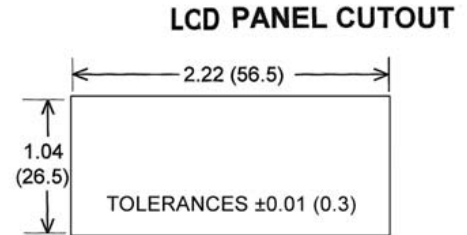
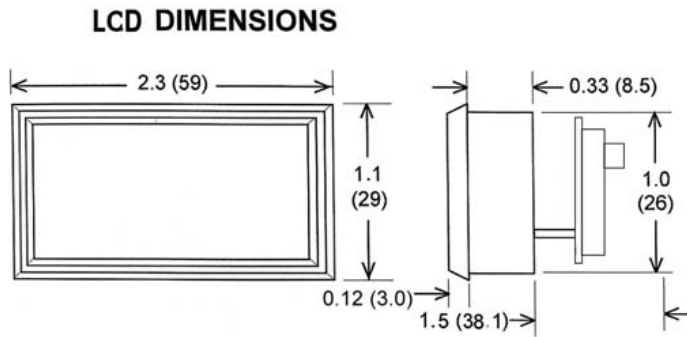
Display:	Digits:	3 1/2 Digits ( $\pm 1999$ counts)
	Type:	0.39" (10mm) High Contrast Reflective LCD
	Polarity:	Automatic, "-" Displayed.
	Decimal Points:	3 Position, User Selectable
	Overload:	Three lower order digits blank for inputs $>1999$ & $<-1999$
Inputs:	Ranges:	Process Inputs, 4 to 20mA
	Configuration:	Bipolar, Differential
	Protection:	30 mA max.
	Loop Burden:	300 $\Omega$ nominal@20mA DC (Loop powered)
Performance:	Accuracy:	$\pm(0.1\% + 1$ counts) Typical $\pm(0.2\% + 2$ counts) Maximum
	Conversion Rate:	3 per Second
	Normal Mode Rejection:	$>30$ db @ 60 Hz
	Adjustments:	
	Warmup:	10 Minutes Typical
	Temperature Coeff.:	$\pm 100$ ppm per $^{\circ}\text{C}$ Typical
Environment:	Operating Range:	0 to 50 $^{\circ}\text{C}$
	Storage Range:	-10 to 60 $^{\circ}\text{C}$
Power Supply:		Powered by the 4-20mA current loop
Mounting:	LCD:	Snap-In Bezel Mount
	Process Board:	Plugs onto DPM pins, adds approx. 0.6"(16mm) to depth
Connection:		Screw terminals on Process Board

### Ordering Information

Model	Description
DP-670	3 1/2 digit, loop powered LCD, 4-20mA board
APS-24	120V AC to 24V DC Power Supply

# DP-670 Series

## Dimensions



INCHES (mm)

## Wiring

