

7 digit elapsed hour meter for AC or DC operation and panel, base or DIN rail mounting



DP-H57

Typical Application

- *Service interval monitoring
- *Machine run time monitoring
- *Machine utilisation timing for pricing, estimating etc.
- *Warranty or rental time measurement

The DIN standard front dimension of 48 x 48mm makes these hour meters suitable for flush mounting and optional 55 x 55mm and 72 x 72mm bezels available. Model DP-AH57 is suitable for base or DIN rail mounting. The base mount is either screwed down or fitted to the rail and the meter is then clipped into it.

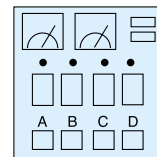
These hour meters normally display to a resolution of tenths of an hour. The AC model shows a rotating white striped wheel to indicate that it is operating.

- 7 digit 0.16" (4mm) white on black for hours, red on black for decimal.
- Standard 48 x 48 DIN size.
- Rugged and insulated plastic case.
- DC or AC (50 or 60Hz).
- Synchronous motor drive for AC model.
- Quartz crystal frequency control for DC model.
- Extended temperature range model available to special order.
- Isolation protection to VDE0435.

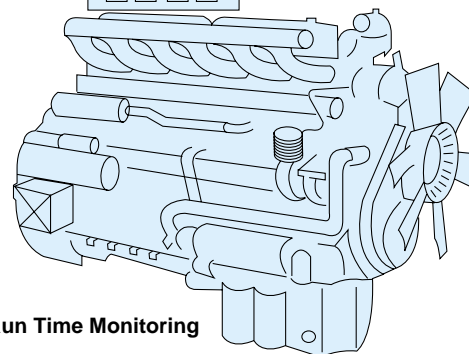
The AC unit normally operates 24, 115 and 230VAC 50Hz but other voltages and 60Hz versions are available to special order.

On AC models the mains supply (50 or 60Hz) is used as the frequency standard. On DC models the frequency is quartz crystal controlled.

Electrical connection is via screw terminals but versions having flat 0.03" x 0.25" (0.8mm x 6.3mm) pins or flying leads are also available. 2.16" x 2.16" (55mm x 55mm) and 2.83" x 2.83" (72mm x 72mm) bezels are available. (See ordering information)



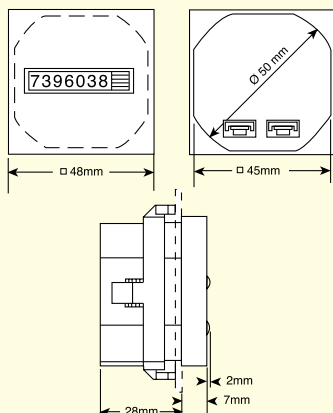
Control Panel



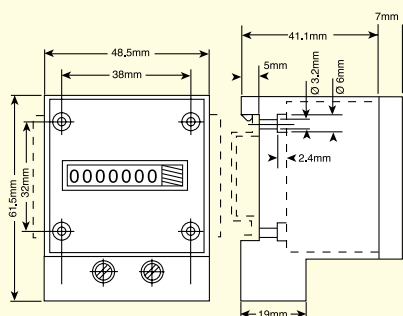
Diesel Run Time Monitoring

Dimensions

DP-H57 1.89"(W) x 1.89"(H) x 1.38"(D)
(48mm(W) x 48mm(H) x 35mm(D))
Panel cutout 1.81" x 1.81" (46mm x 46mm)



DP-AH57
1.89"(W) x 1.89"(H) x 2.05"(D) for DP-H57 excl bezel.
(48mm(W) x 48mm(H) x 52mm(D))
1.91"(W) x 2.42"(H) x 1.89"(D) for DP-AH57 incl base mount
(48.5mm(W) x 61.5mm(H) x 48.1mm(D))



Specification

Supply Voltage 24, 115 or 230VAC +10% -20% 50 or 60Hz. 12 - 24, 36 - 80 or 110 VDC ±15%

Power Consumption
Approx 1.2VA at 230VAC, approx 180mW at 12VDC

Display 0.16" (4mm) characters. Hours - white on black decimal - red on black

Environmental Protection IP52, DIN 40 050 from front

Operating Temp.
-15°C to +50°C (AC). -20°C to +60°C (DC)

Mounting Flush mount using bezel or screw or rail mount to DIN 46 277 using base mount

Weight 48g (DP-H57), 84g (DP-AH57)

Ordering Information

Order by type number, stating voltage and frequency eg. DP-H57 230 50Hz:

DP-H57 Panel mounted hour meter